



Continuous Inkjet

Videojet® 1580 +

Monitor your printer performance to help reduce total cost of ownership with the Videojet® 1580 + continuous inkjet printer.

Designed to deliver improved printer performance and operator effectiveness, the Videojet® 1580 + continuous inkjet (CIJ) printer offers simple operation, reduced maintenance and superior print quality during every day operation. The 1580 + CIJ printer utilizes printer consumption to assess and suggest improvements on how the printer is used, helping to reduce total cost of ownership (TCO). The 1580 + offers a suite of connectivity ready solutions which can help you connect to your network and improve your printer mobility, minimizing the IT workload.



Uptime Advantage

- Prevent a downtime event with an additional 8 hours minimum of runtime using a make-up reserve tank that protects your production under normal operating conditions
- Replace preventive maintenance components easily and reliably, with no additional production downtime
- Videojet Dynamic Calibration automatically maintains superior print quality, for optimum uptime under changing environmental conditions

Code Assurance

- Lower the opportunity for coding errors with intelligent message creation functionality
- Automate code content without the need for operator interaction with user definable message rules
- Streamline message creation and job set-up to start coding products quicker

Simple Usability

- Eliminate potential user errors through a Videojet SIMPLICiTY™ interface that greatly reduces operator printer interactions
- Easy to operate tablet-inspired 10" touchscreen display that is intuitive to you and translated to native language
- Customize interfaces with built-in wizards, and access guided video tutorials for routine printer tasks

Built-in Productivity

- Analyze your individual use patterns and receive printer improvement opportunities via on-screen alerts
- Access technical experts at the touch of a button through optional VideojetConnect™ Remote Service
- Operate more effectively with detailed runtime analytics and reporting, partnering with Videojet Service to improve over time

Videojet® 1580 +

Continuous Inkjet

Line speed capability

Can print 1 to 5 lines of print at speeds of up to 960fpm (293mpm)
(10 characters per inch, single line of print)

Font matrix configuration

Single-line: 5x5, 4x7, 5x7, 7x9, 9x12, 10x16, 16x24, 25x34
Twin-line: 5x5, 5x7, 7x9, 9x12, 10x16
Tri-line: 5x5, 4x7, 5x7, 7x9
Quad-line: 5x5, 4x7, 5x7
Five-line: 5x5

Linear bar codes

UPC A&E; EAN 8 & 13; Code 128 A, B & C; UCC/EAN 128;
Code 39; Interleaved 2 of 5; 2D DataMatrix; GS1

DataMatrix codes

10x10, 12x12, 14x14, 16x16, 8x18, 18x18, 20x20, 22x22, 24x24, 16x26, 26x26,
8x32, 32x32, 34x34, 12x36, 16x36, 16x48

Nominal character height

Selectable from 0.079" (2mm) to 0.40" (10mm), depending on font

Throw distance

Optimal: 0.472" (12mm)
Range: 0.197" (5mm) to 0.591" (15mm)

User interface

10.4" high-response TFT-LCD touch screen
WYSIWYG touch to edit message editing

Custom logo/graphics

Can be created via optional CLARISOFT™ software*

Character sets

Chinese, Russian/Bulgarian, Turkish/Scandinavian, Romanian, Greek, Arabic,
Japanese/Kanji, Hebrew, Korean, East European and European/American

Languages and interface options

English, Arabic, Bulgarian, Czech, Danish, Dutch, Finnish, French, German, Greek,
Hebrew, Hungarian, Italian, Japanese, Korean, Norwegian, Polish, Portuguese, Russian,
Simple Chinese, Spanish, Swedish, Thai, Traditional Chinese, Turkish and Vietnamese

Input/output

Product detect input
Encoder input
Beacon (Alarm light) output
Relay output
USB 2.0 (2x)
Ethernet LAN™

Message storage

More than 250 complex messages

Environmental protection

IP55 standard, no plant air required, stainless steel cabinet
CleanFlow™, positive air, no plant air required, IP65 protected electronics optional

Printhead

Heated printhead
Positive air (standard)
Diameter: 1.63" (41.3mm)
Length: 10.62" (269.8mm)

Printhead umbilical

Ultra flexible
Length: 9.84' (3m) optional 19.69' (6m)
Diameter: 0.91" (23mm)
Bend radius: 4.0" (101.6mm)

Make-up fluid consumption

5.0ml per hour (MEK at 20°C)

Fluids containers

Ink and Make-up Smart Cartridge™ 0.793 qt. (750ml)

Temperature/humidity range

32°F to 122°F (0°C to 50°C)
0% to 90% RH non-condensing
With selected inks; actual installation may require additional hardware based on production environment conditions

Electrical requirements

Nominal supply power 100-120 / 200-240 VAC at 50/60 Hz., 50 W nominal

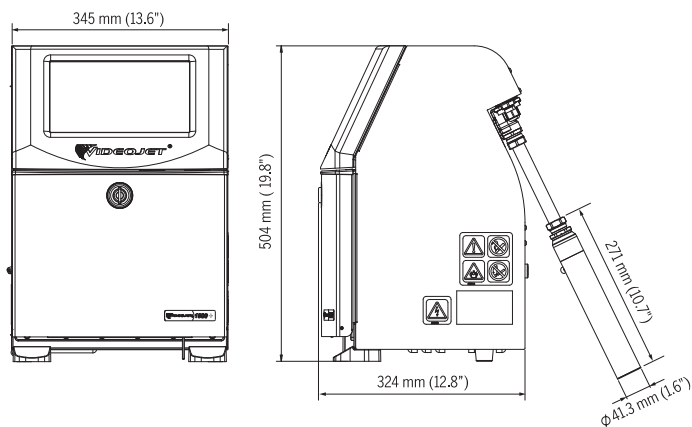
Approximate weight

Unpacked and dry: 46.3lbs. (21kg)

Options

Dust protection kit with CleanFlow™ technology
Dry air kit for high humidity (requires plant air)
RS232 connector kit (USB to Serial DIN-5 male adapter)
SIMPLICITY™ Workflow Modules
Wide range of accessories

* CLARISOFT Package Coding Design software required for bar codes and other advanced functionality.



Mark-Line Systems OÜ
Sära tee 11-3, Peetri, 75312, Rae vald
Tel. +372 5152123
info@markline.ee
www.markline.ee

©2022 Videojet Technologies Inc. — All rights reserved.

Videojet Technologies Inc.'s policy is one of continued product improvement.
We reserve the right to alter design and/or specifications without notice.

Part No. SL000720
ss-1580+-no-cell-us-1222
Printed in U.S.A.

